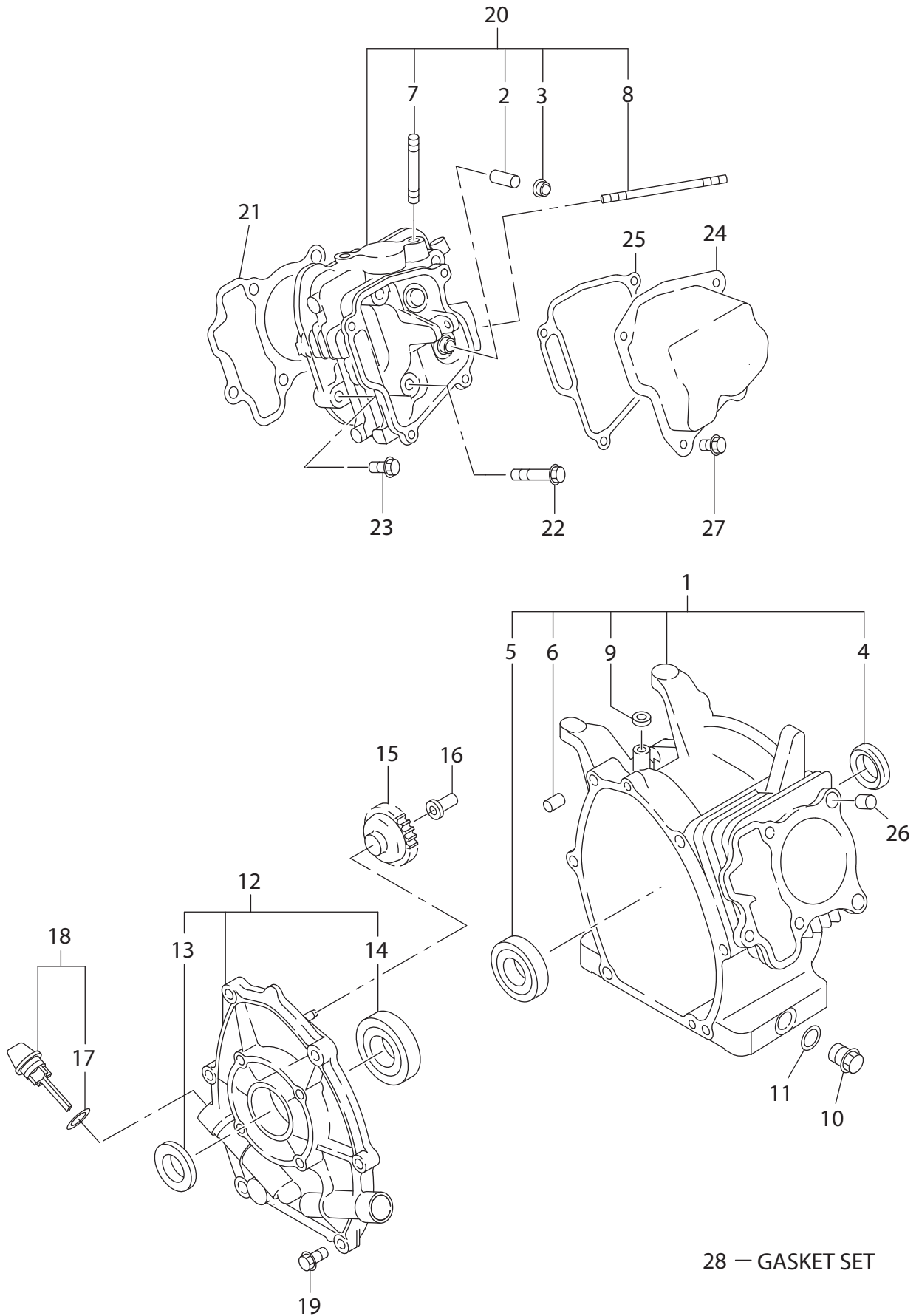
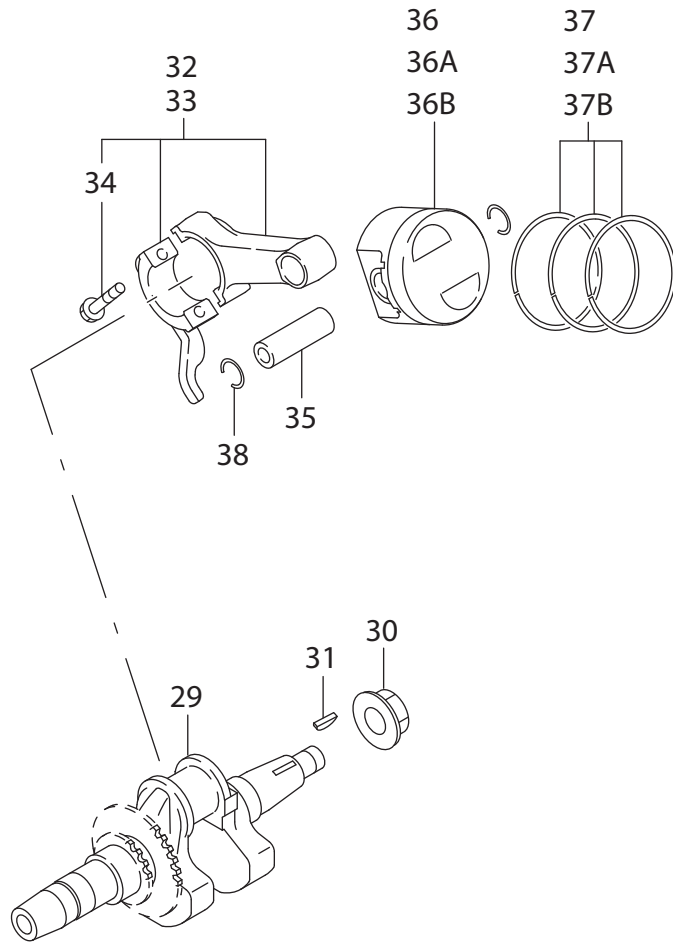


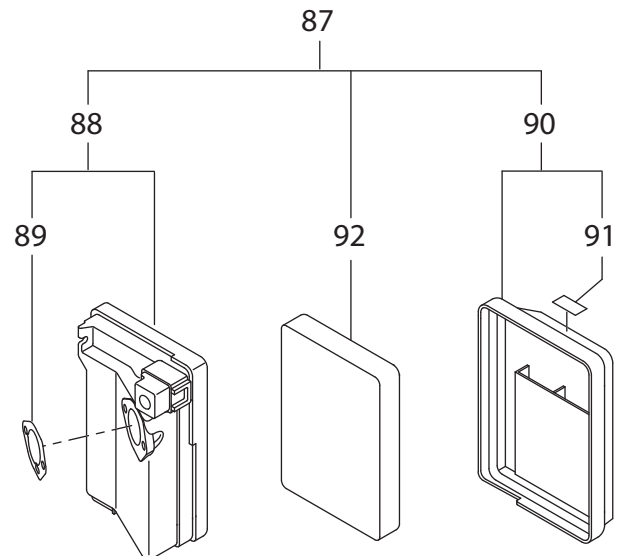
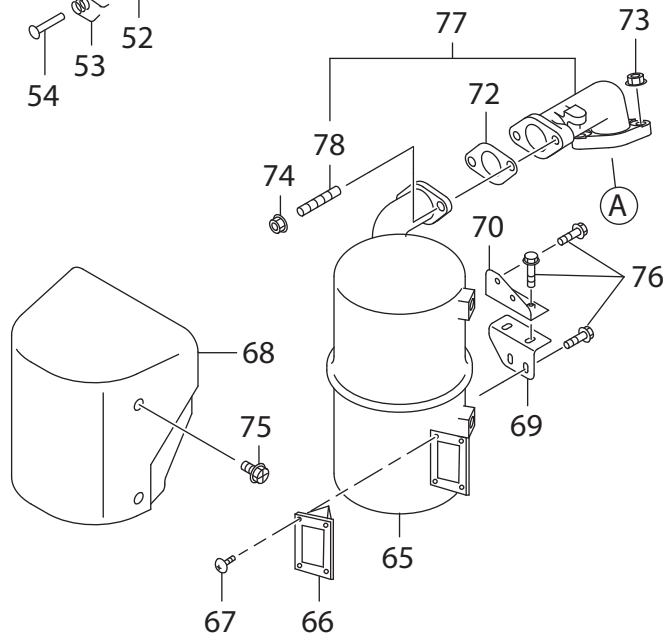
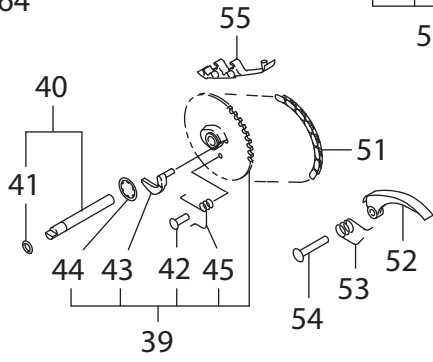
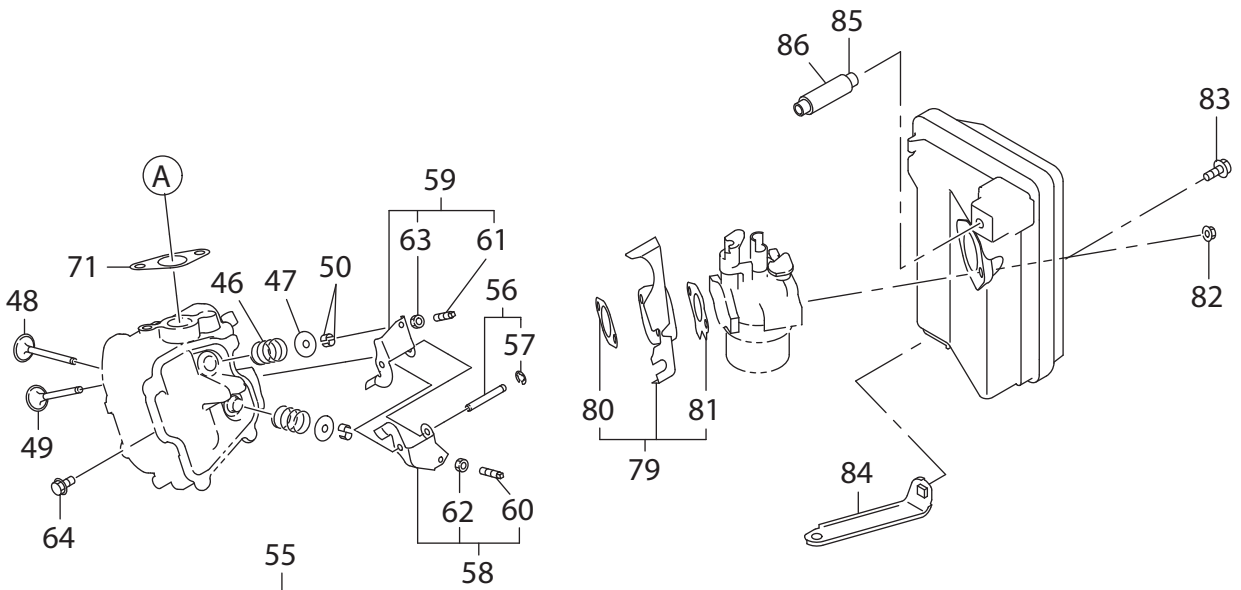


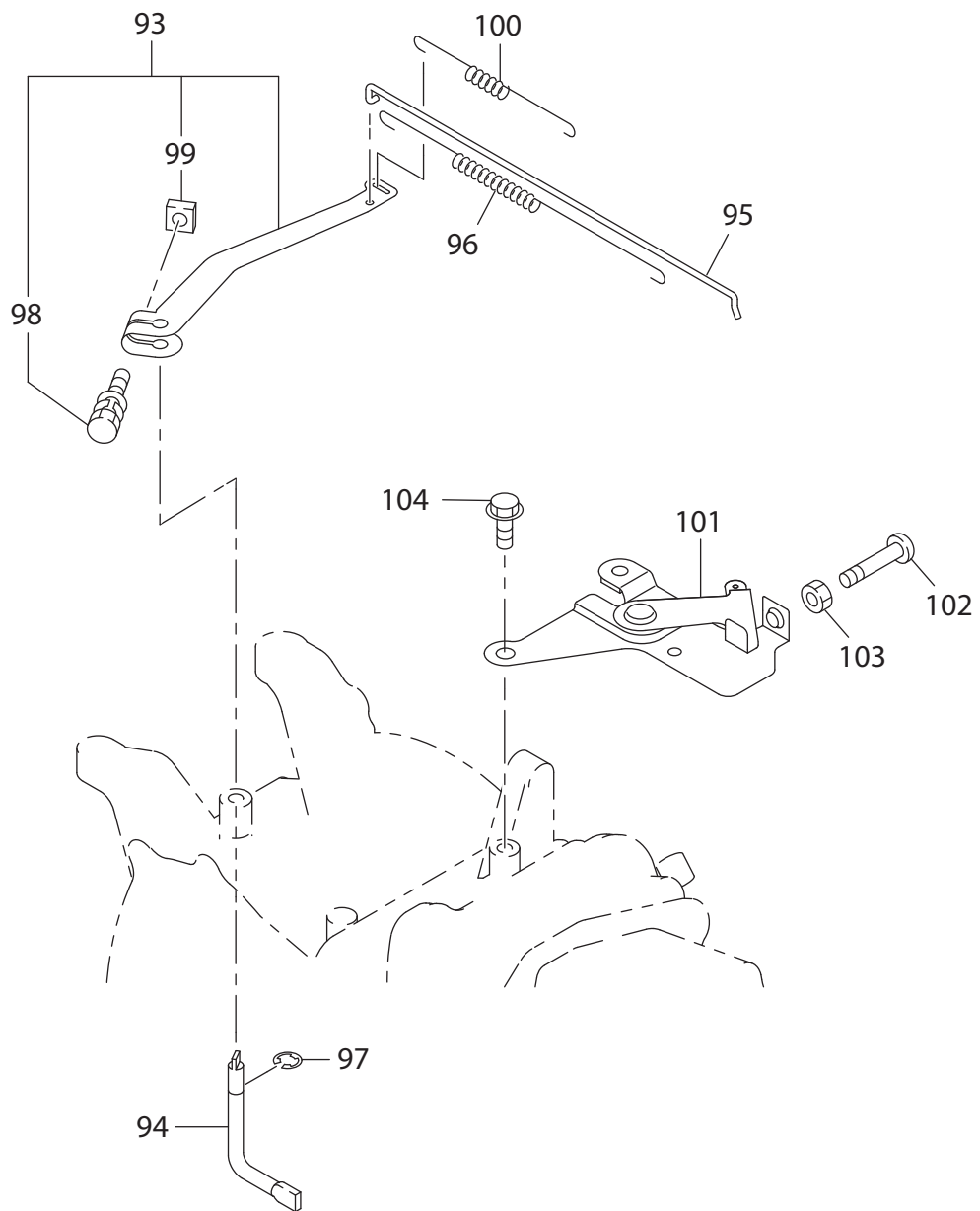
11 - 2010
EG301A
GENERATOR 3000WATT

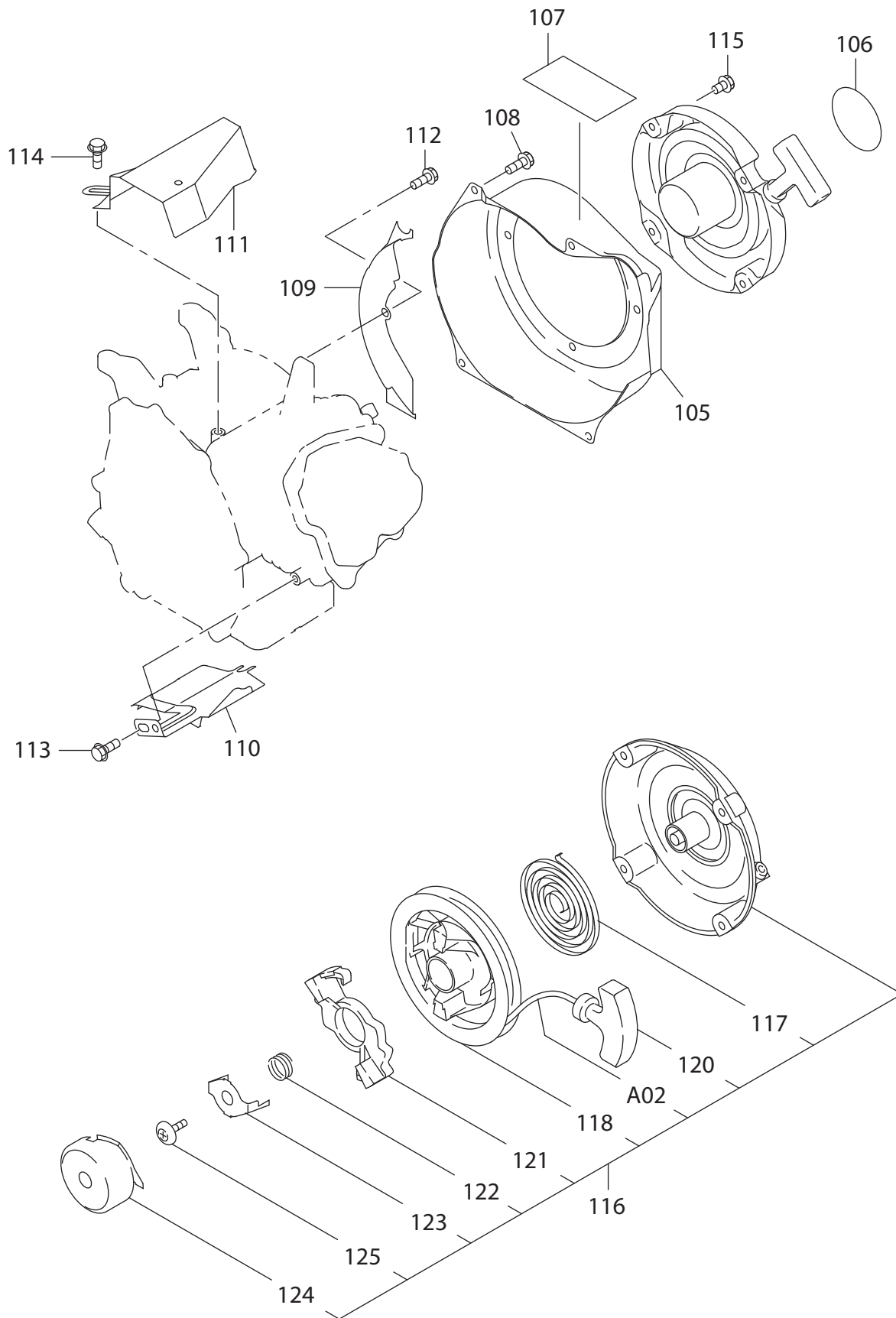


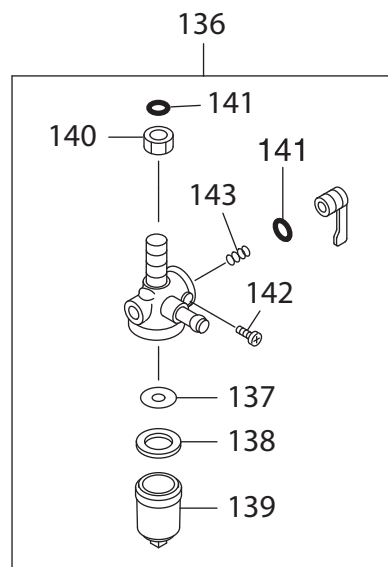
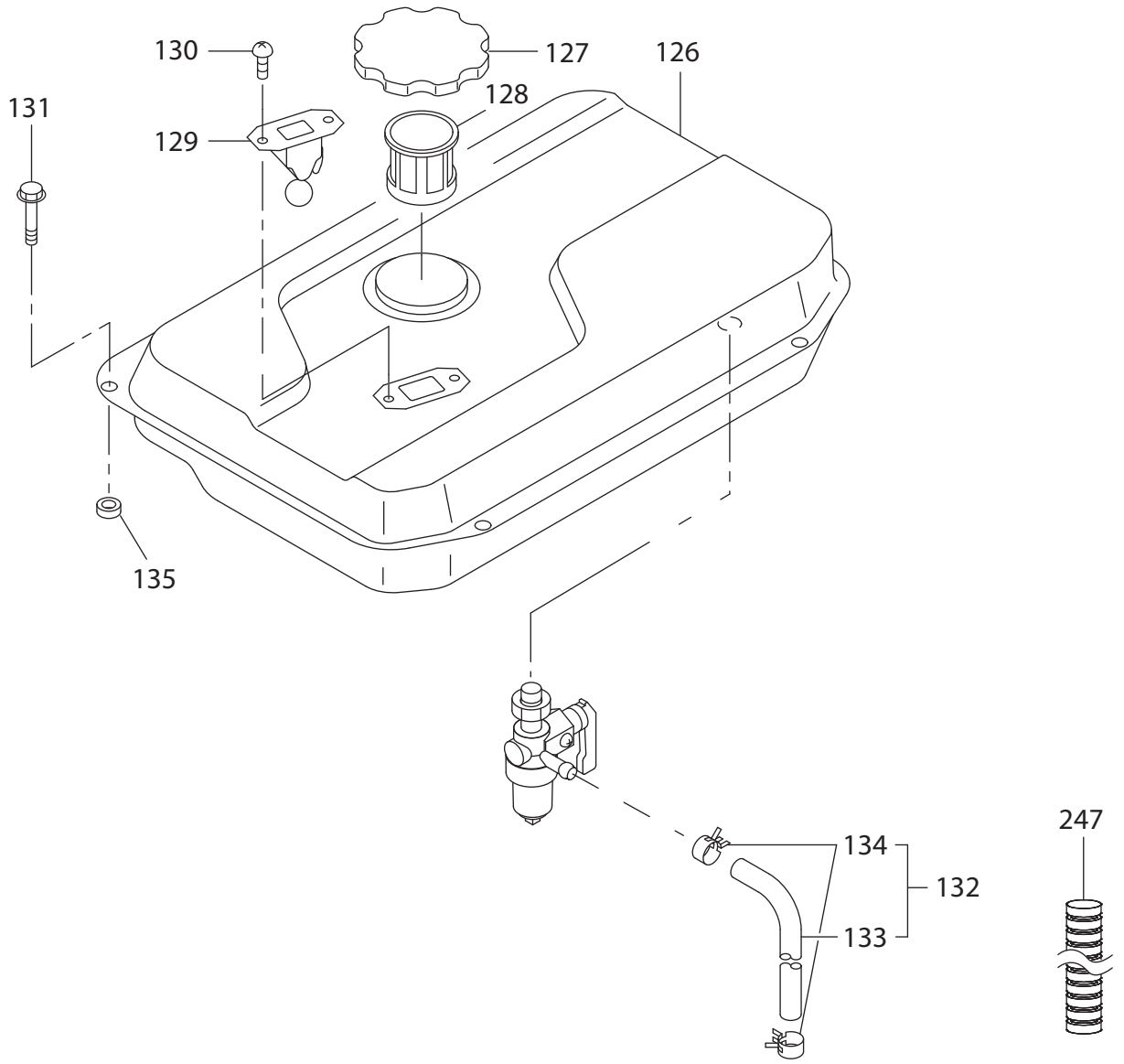
28 — GASKET SET



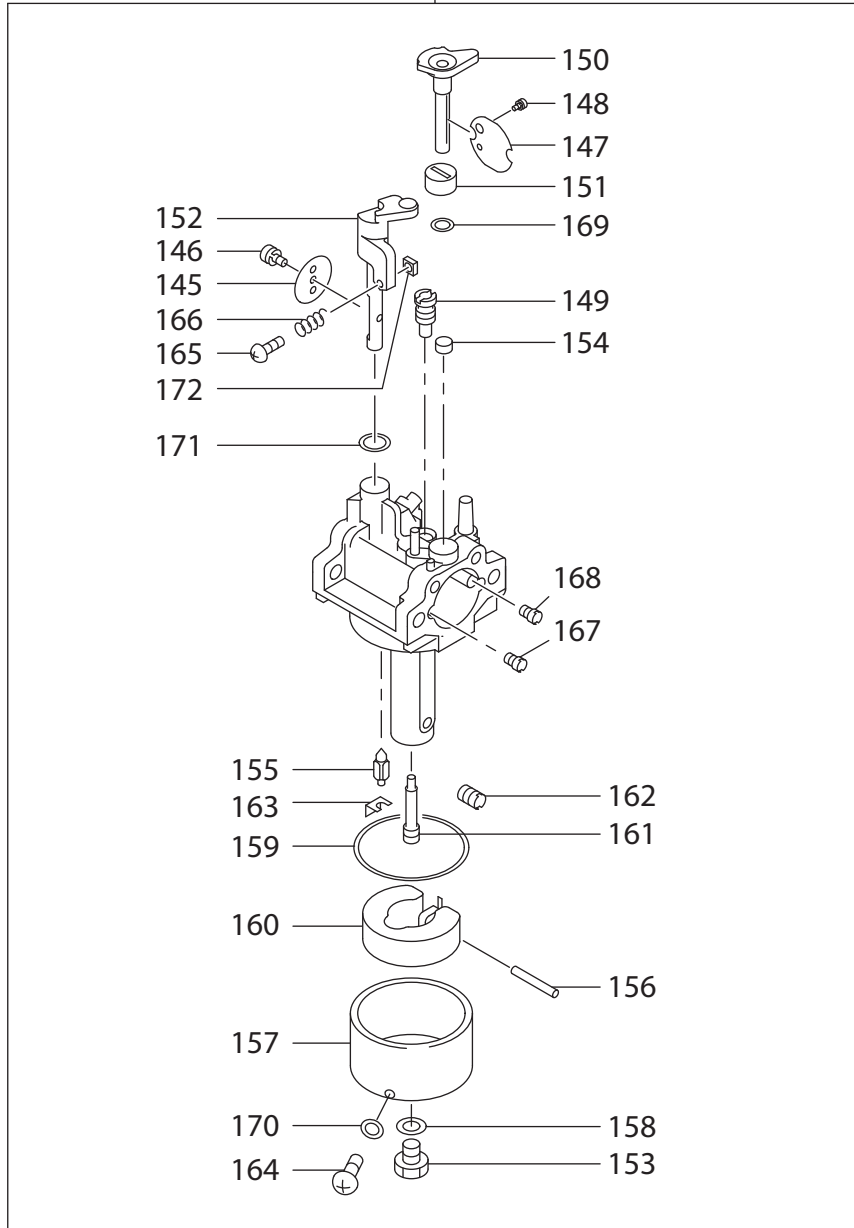


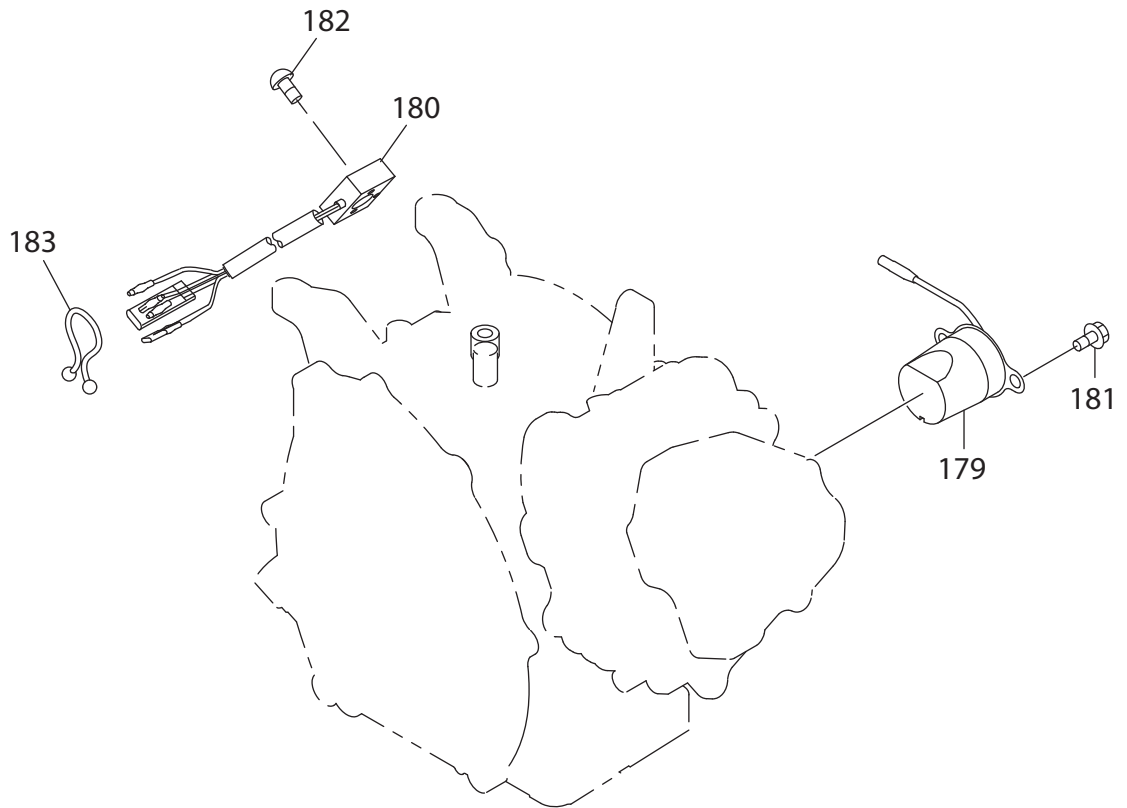
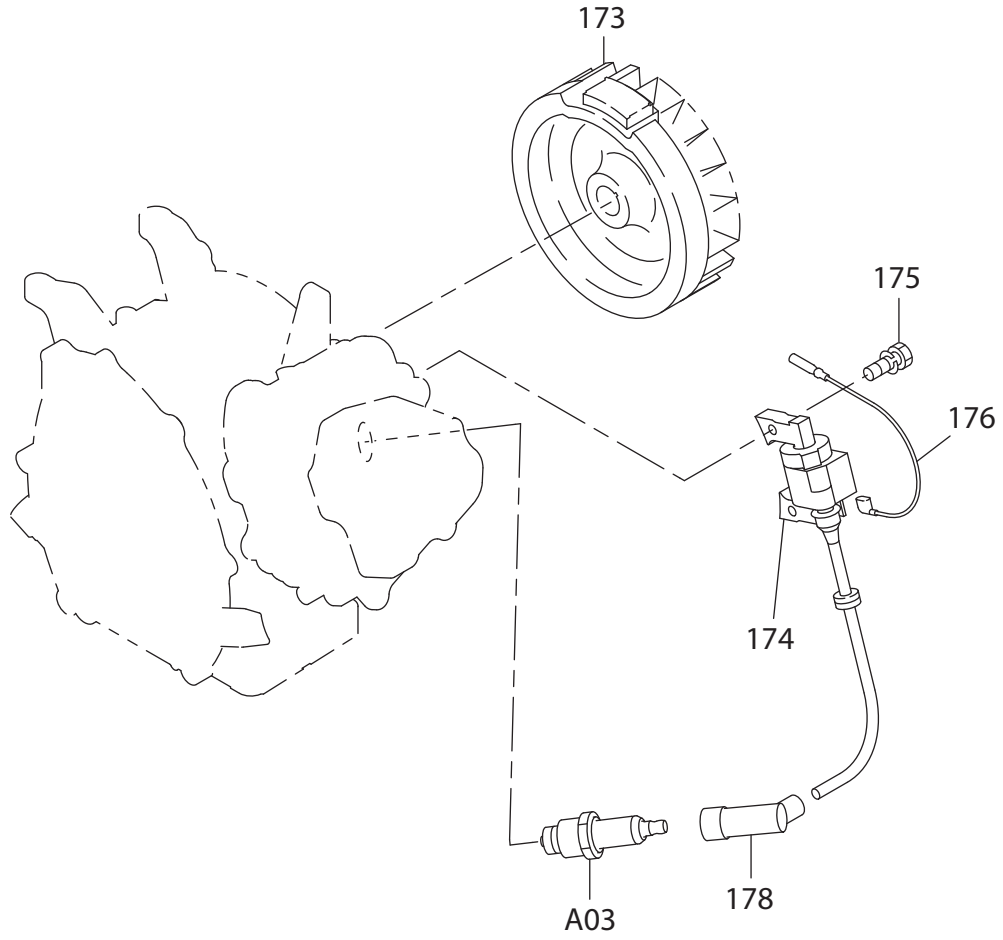


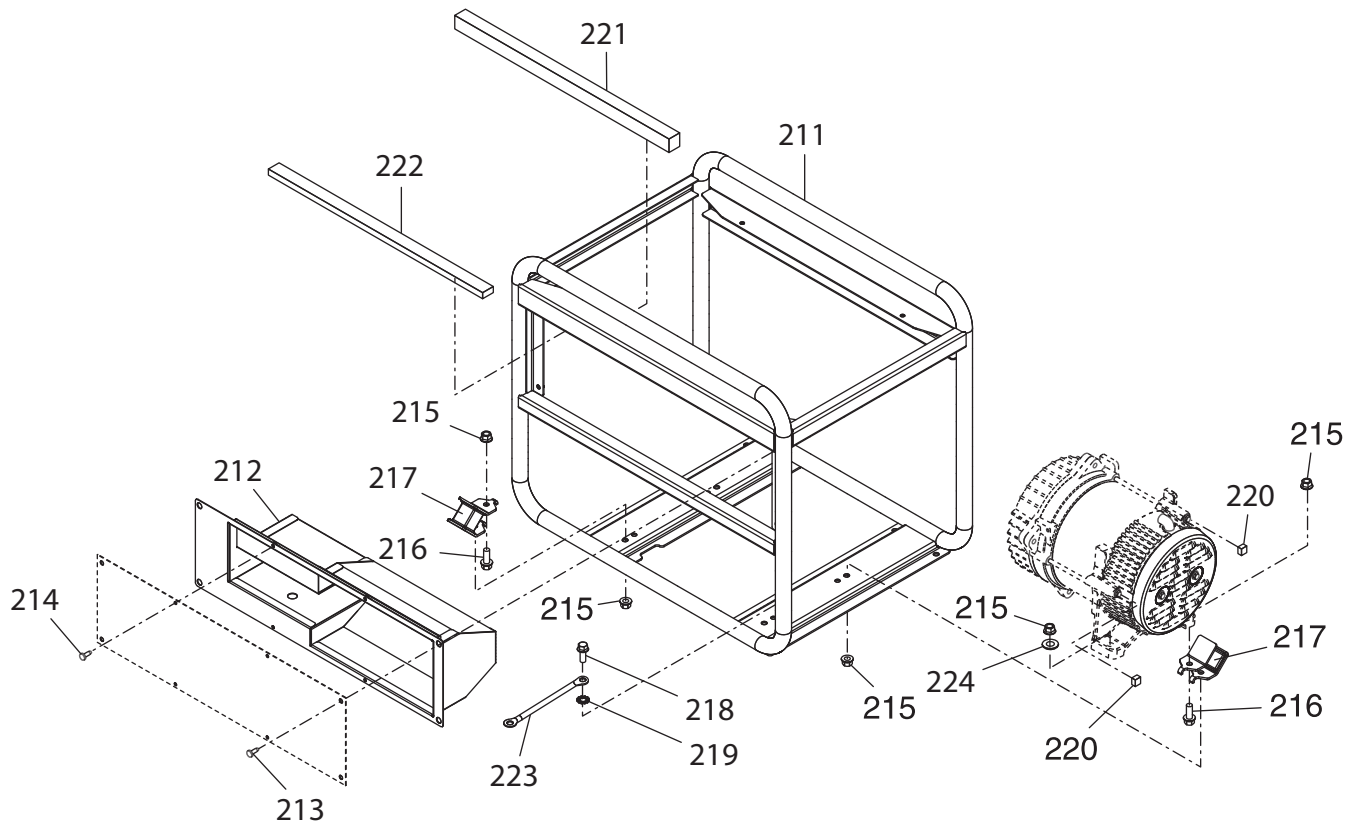
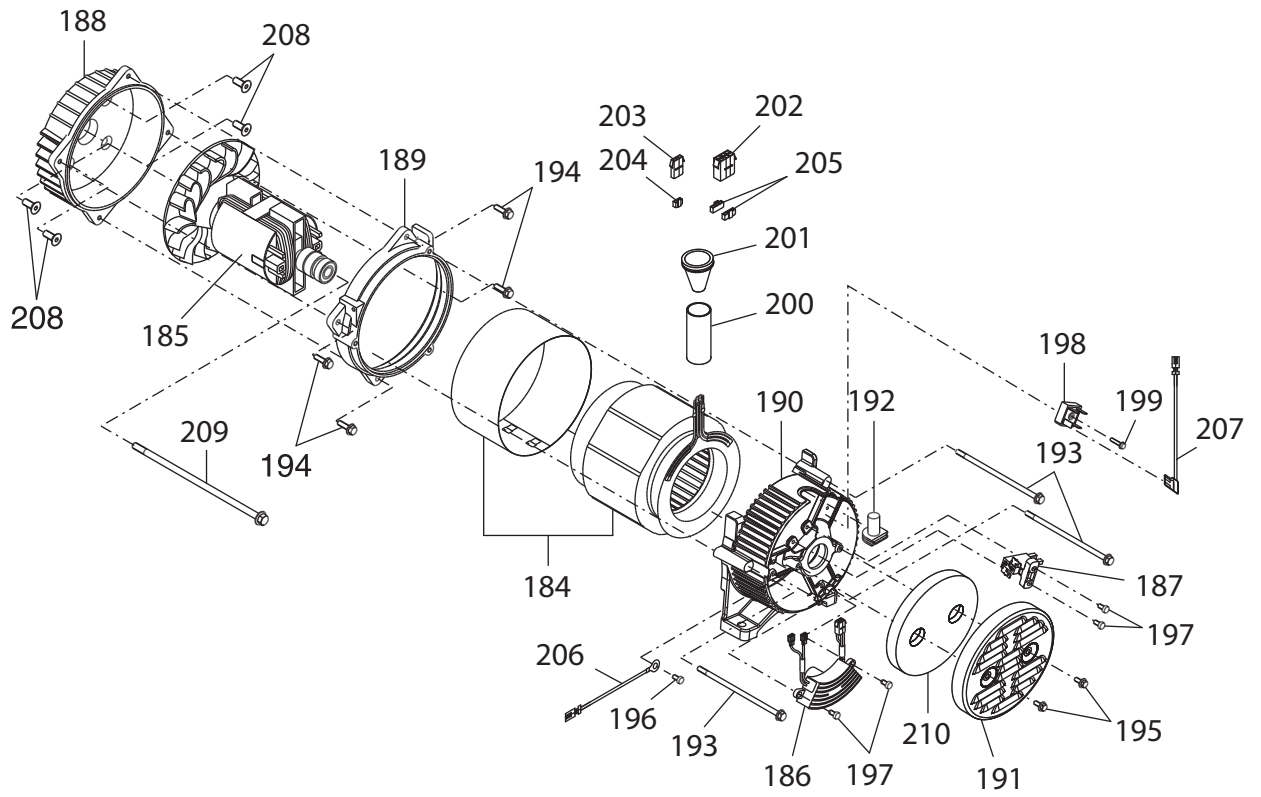


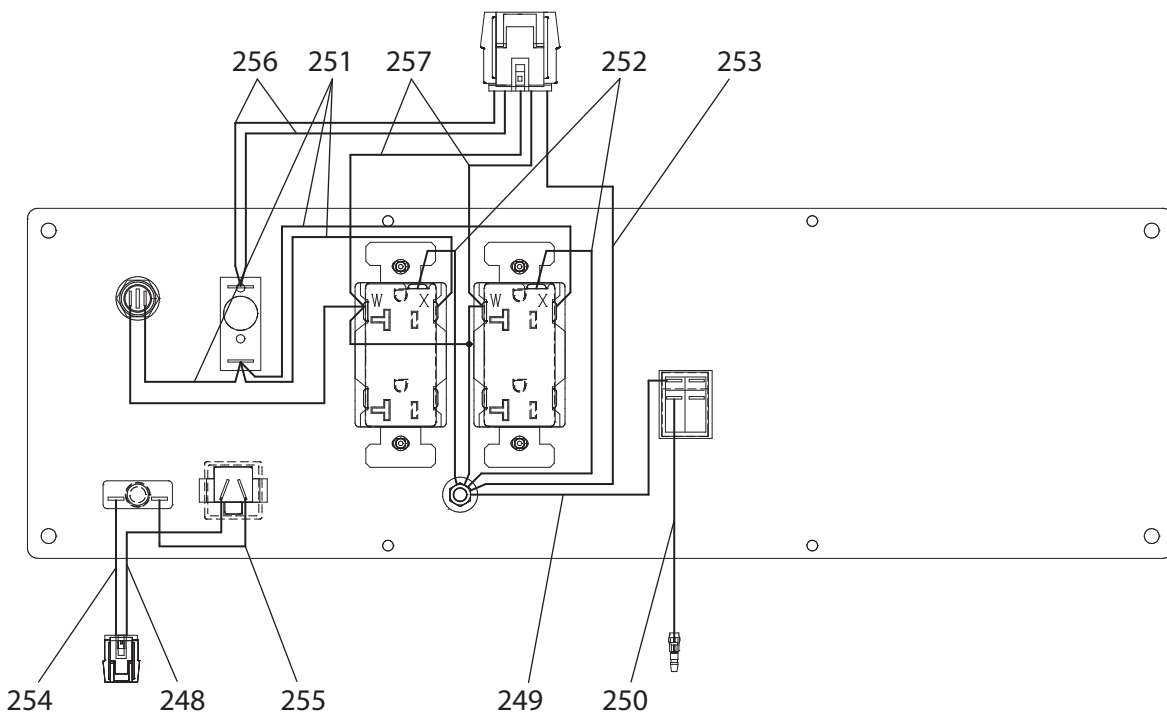
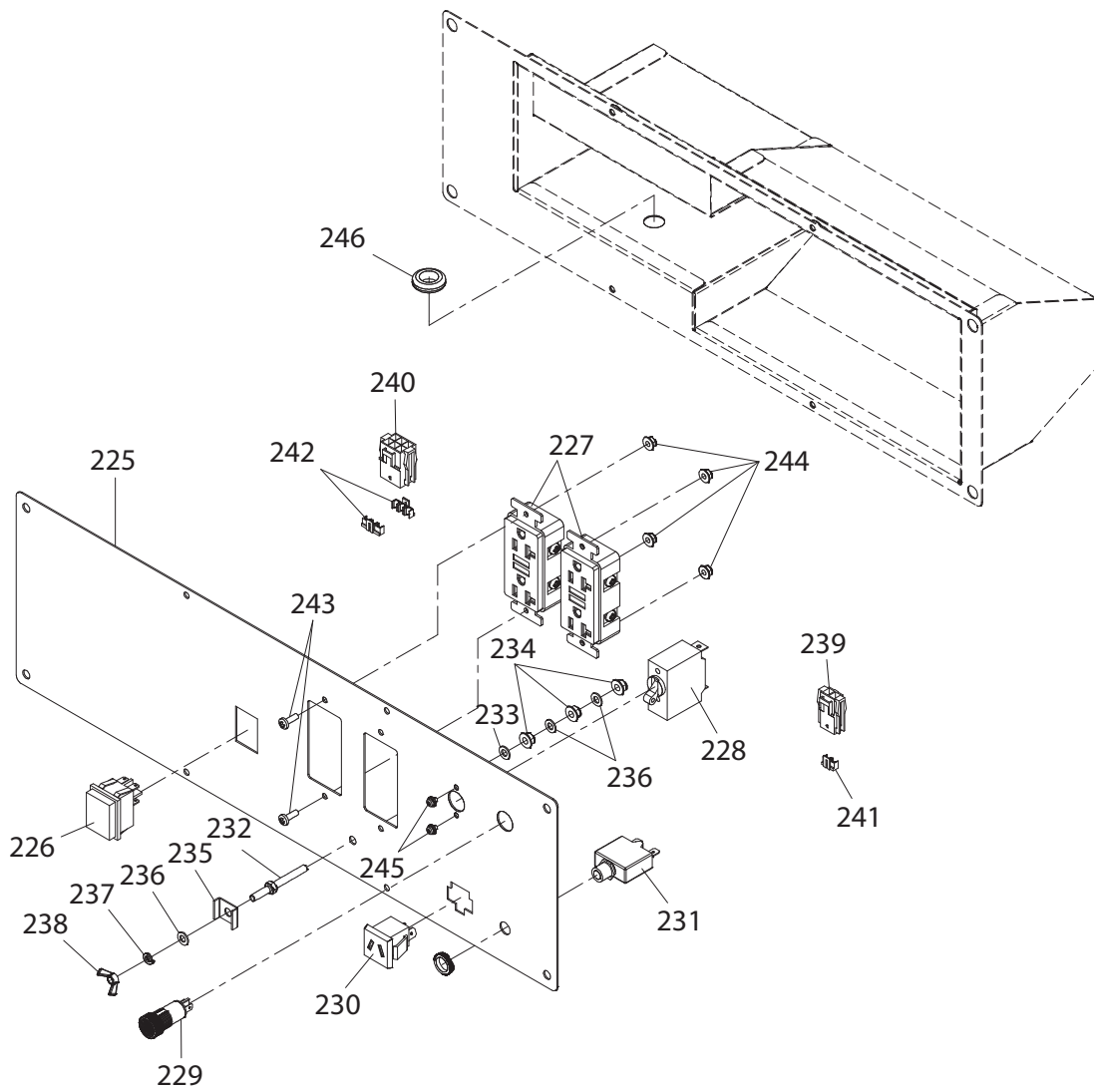


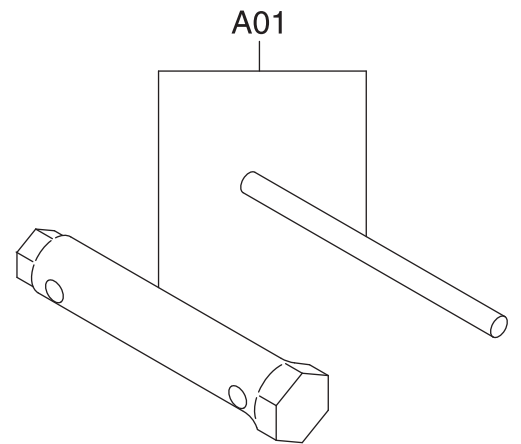
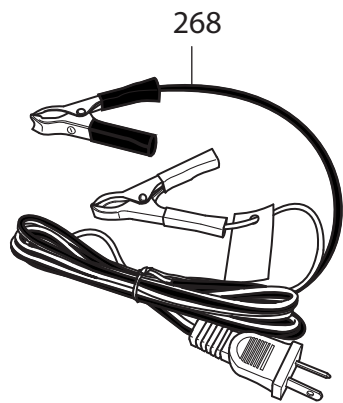
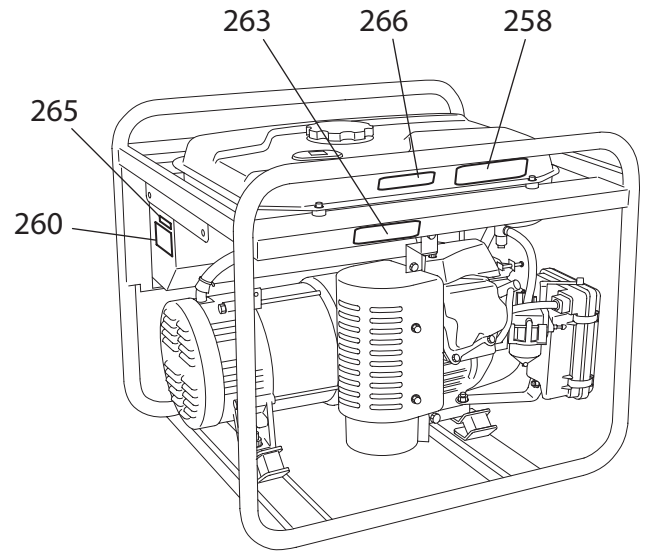
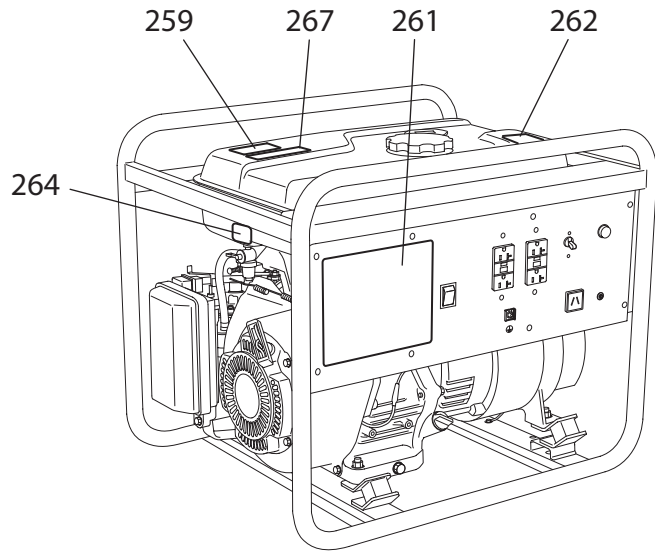
144











Item	Nc	Type	Ref	Part No	SC Description	Qty	Unit
001	2			277-10102-61	CRANK CASE CP	1	PC.
	2	INC.			Item No. 4-6,9		
002				237-14202-03	VALVE GUIDE (OVERSIZE)	2	PC.
003				277-16010-01	STEM SEAL	1	PC.
004				044-02502-00	OIL SEAL 25DX38DX7B	1	PC.
005				060-02800-21	BALL BEARING 62/28 28DX58DX16B	1	PC.
006				277-15011-03	PIPE KNOCK 10.3DX8.5DX14L	2	PC.
007				010-50802-90	MUFFLER STUD	2	PC.
008				010-50603-51	STUD M6X1.0X98L	2	PC.
009				044-00600-20	OIL SEAL 6DX10DX2.5B	1	PC.
010				040-11400-30	PLUG	2	PC.
011				021-11400-20	GASKET	2	PC.
012	2			277-11001-41	MAIN BEARING COVER COM	1	PC.
		INC.			Item No. 13,14		
	3			277-11001-61	MAIN BEARING COVER COM	1	PC.
		INC.			Item No. 13,14		
013				044-02502-10	OIL SEAL 25DX41.25DX6B	1	PC.
014	1			X60-02501-40	BALL BEARING 6205	1	PC.
	2			060-02501-40	BALL BEARING 6205	1	PC.
015	1			277-45004-J1	GOVERNOR GEAR CP	1	PC.
	2			277-45004-K1	GOVERNOR GEAR COM.	1	PC.
016	2			277-41902-01	GOVERNOR SLEEVE COM	1	PC.
017	3			021-31600-20	GASKET	2	PC.
018				277-63601-30	OIL GAUGE	2	PC.
		INC.			Item No. 17		
019				001-04083-50	FLANGE BOLT	6	PC.
020				277-13002-11	CYLINDER HEAD COMPLETE	1	PC.
		INC.			Item No. 2,3,7,8		
021	1			277-15001-33	GASKET(HEAD)	1	PC.
	2			277-15001-43	GASKET(HEAD)	1	PC.
022				011-00802-40	FLANGE BOLT M8X1.25X16DX68L	4	PC.
023				011-00803-10	FLANGE BOLT M8X33L	1	PC.
024	1			277-15503-01	ROCKER COVER COM	1	PC.
	2			277-15503-11	ROCKER COVER COM	1	PC.
025	1			277-16001-13	GASKET(ROCKER COVER)T=0.7	1	PC.
	2			277-16001-23	GASKET(ROCKER COVER)T=0.7	1	PC.
026				277-15011-03	PIPE KNOCK 10.3DX8.5DX14L	2	PC.
027				011-00600-20	FLANGE BOLT M6X1.0X14DX12L	4	PC.
028	3			277-99001-67	GASKET SET	1	PC.
		INC.			Item No. 11,17,21,25,71,80,81		
	4			277-99001-77	GASKET SET	1	PC.
		INC.			Item No. 11,17,21,25,71,80,81		
029				277-20701-21	CRANKSHAFT COMPLETE	1	PC.
030				018-01400-20	FLANGE NUT M14X1.5X28DX12H	1	PC.
031				032-30300-10	WOODRUFF KEY	1	PC.
032				277-22501-10	CONNECTING ROD ASS'Y	1	PC.
		INC.			Item No. 34		
033				277-22502-00	CONNECTING ROD ASSY	1	PC.
		INC.			Item No. 34		
034				277-23001-03	CONNECTING ROD BOLT	2	PC.
035				277-23301-13	PISTON PIN 16DX11DX48.5L	1	PC.
036				277-23401-J3	PISTON STD	1	PC.
036A				277-23403-J3	PISTON 0.25 OVER SIZE	1	PC.
036B				277-23404-J3	PISTON 0.50 OVER SIZE	1	PC.

Item No	Type	Ref	Part No	SC Description	Qty	Unit
037			277-23531-07	PISTON RING SET STD OIL 3PCS.	1	PC.
037A			277-23532-07	PISTON RING SET.25 O.S.OIL3PCS	1	PC.
037B			277-23533-07	PISTON RING SET.50 O.S.OIL3PCS	1	PC.
038			056-51600-10	CLIP	2	PC.
039	1		278-31601-31	* CAM SHAFT CP	1	PC.
		INC.		* Item No. 42-45		
	2		278-31601-41	* CAM SHAFT CP	1	PC.
		INC.		* Item No. 42-45		
	3		278-31601-51	* CAM SHAFT COMPLETE	1	PC.
		INC.		* Item No. 42-45		
	4		278-31601-61	* CAM SHAFT COMPLETE	1	PC.
		INC.		* Item No. 42-45		
	5		278-31601-71	* CAM SHAFT COMPLETE	1	PC.
		INC.		* Item No. 42-45		
040			277-35101-01	PIN(CAM SHAFT)CP	1	PC.
		INC.		Item No. 41		
041			024-00600-10	O RING 5.8DX9.6D - N/L/A as individually	1	PC.
042			277-38601-03	PIN(SPRING) 4DX8DX9L	1	PC.
043	1		277-36401-03	RELEASE LEVER	1	PC.
	2		277-36401-13	RELEASE LEVER	1	PC.
044			277-36501-03	CLIP 13.8DX20.3DX4T	1	PC.
045	5		277-38703-33	* RETURN SPRING	1	PC.
046			279-33601-03	VALVE SPING	2	PC.
047			269-33701-03	SPRING RETAINER	2	PC.
048	1		277-33401-H3	INTAKE VALVE	1	PC.
	2		20A-33401-03	INTAKE VALVE	1	PC.
049	1		277-33501-H3	EXHAUST VALVE 23.5DX5.5DX68.1L	1	PC.
	2		20A-33501-03	EXHAUST VALVE 23.5DX5.5DX68.1L	1	PC.
050			132-10KA0-31	COLLET VALVE	4	PC.
051	1		277-35601-11	TIMING CHAIN COMPLETE - N/L/A	1	PC.
	2		277-35602-H1	TIMING CHAIN COMPLETE	1	PC.
052	1		277-36911-03	TENSIONER	1	PC.
	2		20A-36911-03	TENSIONER	1	PC.
053			277-37101-03	SPRING(TENSIONER)	1	PC.
054			277-36902-03	PIN(TENSIONER) 6DX13DX34L	1	PC.
055	2		20A-36913-03	CHAIN GUIDE	1	PC.
056			277-35004-01	PIN(ROCKER) CP	1	PC.
		INC.		Item No. 57		
057			003-13050-00	CLIP	1	PC.
058			277-36201-00	LOCKER ARM(INTAKE) ASS'Y	1	PC.
		INC.		Item No. 60,62		
059			277-36202-00	ROCKER ARM(EXHAUST)ASS'Y	1	PC.
		INC.		Item No. 61,63		
060			014-90500-20	ADJUST SCREW M5X23	1	PC.
061			014-90500-20	ADJUST SCREW M5X23	1	PC.
062			017-00500-30	NUT M5	1	PC.
063			017-00500-30	NUT M5	1	PC.
064			011-00600-10	FLANGE BOLT M6X1.0X14DX8L	1	PC.
065			277-30502-01	MUFFLER CP	1	PC.
066			227-37602-11	SPARK ARRESTOR	1	PC.
067			015-00400-10	TAPPING SCREW	4	PC.
068			277-34703-01	MUFFLER COVER CP	1	PC.
069			277-39101-01	MUFFLER BRACKET 1 CP	1	PC.
070			277-39102-01	MUFFLER BRACKET 2 CP	1	PC.

Item No	Type	Ref	Part No	SC Description	Qty	Unit
071			277-35201-13	GASKET(MUFFLER)	1	PC.
072			277-35201-01	GASKET EXHAUST T=1.6 28DX52P	1	PC.
073			002-38080-00	FLANGE NUT	2	PC.
074			002-38080-00	FLANGE NUT	2	PC.
075			011-00600-10	FLANGE BOLT M6X1.0X14DX8L	4	PC.
076			001-14061-60	BOLT & WASHER ASS'Y	6	PC.
077			277-34001-01	EXHAUST PIPE COMPLETE	1	PC.
		INC.		Item No. 78		
078			010-50802-90	MUFFLER STUD	2	PC.
079	2		20A-32902-01	INSULATOR COMPLETE	1	PC.
		INC.		Item No. 80-81		
080	2		20A-35903-03	GASKET 2(INSULATOR)	1	PC.
081	2		20A-35902-03	GASKET 1(INSULATOR)	1	PC.
082			002-38060-00	FLANGE NUT M6	2	PC.
083			001-04062-00	FLANGE BOLT M6X20	1	PC.
084	1		277-39001-01	BRACKET(AIR CLEANER) COMPLETE	1	PC.
	2		277-39001-11	BRACKET(AIR CLEANER) COMPLETE	1	PC.
085			277-32762-08	BREATHER PIPE	1	PC.
086	2		277-69002-03	SPONGE PROTECTOR	1	PC.
087	3		277-32722-30	AIR CLEANER ASSY	1	PC.
		INC.		Item No. 88-92		
088			277-32632-08	BASE COMPLETE	1	PC.
		INC.		Item No. 89		
089			277-32604-08	PACKING	1	PC.
090	2		277-32643-28	COVER CP	1	PC.
		INC.		Item No. 91		
092			277-32661-17	ELEMENT	1	PC.
093			277-42301-40	GOVERNOR LEVER	1	PC.
		INC.		Item No. 98-99		
094			277-42201-33	GOVERNOR SHAFT	1	PC.
095			277-42701-23	GOVERNOR ROD	1	PC.
096			277-42801-23	ROD SPRING 7DX.5DX182L N=16	1	PC.
097			003-13050-00	CLIP	1	PC.
098			001-14062-50	BOLT & WASHER ASS'Y	1	PC.
099			018-60600-20	NUT M6X1.0X4.9H	1	PC.
100			277-42510-23	GOVERNOR SPRING	1	PC.
101			277-46501-11	SPEED CONTROL COMPLETE	1	PC.
102			004-31064-00	SCREW	1	PC.
103			002-17060-00	NUT M6	1	PC.
104			011-00600-20	FLANGE BOLT M6X1.0X14DX12L	2	PC.
105			277-51205-01	BLOWER HOUSING COMPLETE	1	PC.
106			20B-91702-03	LABEL(MAKITA)	1	PC.
107			073-20055-70	LABEL(CAUTION)	1	PC.
108			011-00600-30	FLANGE BOLT M6X1.0X14DX14L	4	PC.
109			277-52711-21	BAFFLE 1 CP	1	PC.
110			277-52702-03	BAFFLE 2(HEAD) COMPLETE	1	PC.
111	1		277-55001-21	DUCT (CASE) CP	1	PC.
	2		277-55002-03	DUCT (CASE) CP	1	PC.
112			001-04061-40	FLANGE BOLT	1	PC.
113			011-00600-20	FLANGE BOLT M6X1.0X14DX12L	1	PC.
114			011-00600-20	FLANGE BOLT M6X1.0X14DX12L	3	PC.
115			013-00602-81	BOLT AND WASHER ASSY	4	PC.
116	2		277-50301-30	RECOIL STARTER AY	1	PC.
		INC.		Item No. 117-125		

Item No	Type	Ref	Part No	SC Description	Qty	Unit
117			226-50716-08	SPIRAL SPRING	1	PC.
118			277-50121-08	REEL	1	PC.
121			281-50325-08	RATCHET	1	PC.
122			281-50330-08	FRICITION SPRING	1	PC.
123			281-50340-08	FRICITION PLATE	1	PC.
124			277-50145-08	STARTER PULLEY	1	PC.
125			281-50351-08	CENTER SCREW	1	PC.
126			270-61722-01	FUEL TANK CP	1	PC.
127			043-05900-11	FUEL TANK CAP ASSY	1	PC.
128			064-15400-11	FUEL FILTER	1	PC.
129			064-80018-00	FUEL GAUGE CP	1	PC.
130			014-50500-40	SCREW	2	PC.
131			011-00602-20	FLANGE BOLT	4	PC.
132	1		269-62613-01	FUEL PIPE 3,SET	1	PC.
		INC.		Item No. 133-134		
	2		269-62613-11	FUEL PIPE 3,SET	1	PC.
		INC.		Item No. 133-134		
133			269-68012-03	RUBBER PIPE	1	PC.
134			056-11100-20	HOSE CLAMP 11D	2	PC.
135			391-39000-13	RUBBER (TANK)	4	PC.
136			064-20100-01	FUEL STRAINER ASS'Y	1	PC.
136		INC.		Item No. 137-143		
137	2		064-20014-20	FILTER	1	PC.
138			064-20014-30	PACKING	1	PC.
139			064-20014-10	CUP	1	PC.
140			064-20100-30	LOCK NUT	1	PC.
141			064-20003-30	O-RING	2	PC.
142			064-20027-90	LOCK BOLT	1	PC.
143			064-20032-30	SPRING	1	PC.
144	3		277-62304-60	CABURETOR ASS'Y	1	PC.
		INC.		Item No. 145-172		
145			277-62535-08	THROTTLE VALVE #160	1	PC.
146			209-62351-08	SCREW ASS'Y	1	PC.
147			277-62527-08	VALVE CHOKE	1	PC.
148			237-62451-08	SCREW	2	PC.
149			246-62420-08	PILOT JET (#40)	1	PC.
150			277-62522-08	CHOKE LEVER	1	PC.
151			277-62570-28	RING	1	PC.
152			277-62531-18	THROTTLE SHAFT-A	1	PC.
153			227-62451-08	BOLT	1	PC.
154			277-62571-08	RING	1	PC.
155			277-62500-08	NEEDLE	1	PC.
156			277-62515-08	PIN	1	PC.
157			277-62506-08	FLOAT BODY	1	PC.
158			214-62450-08	PACKING	1	PC.
159			214-62540-08	FLOAT CHAMBER PACKING	1	PC.
160			226-62506-08	FLOAT ASS'Y	1	PC.
161			277-62440-08	MAIN NOZZLE	1	PC.
162			277-62402-08	MAIN JET #81.3	1	PC.
163			226-62701-18	CLIP	1	PC.
164			277-62360-08	BOLT	1	PC.
165			106-62556-08	SCREW	1	PC.
166			283-62357-08	SPRING	1	PC.
167			248-62410-08	AIR JET	1	PC.

Item	Nc	Type	Ref	Part No	SC Description	Qty	Unit
168				106-62410-08	AIR JET(PILOT)	1	PC.
169				236-62680-08	SEAL	1	PC.
170				236-62541-08	PACKING	1	PC.
171				246-62390-08	SEAL	1	PC.
172				277-62553-08	NUT	1	PC.
173				277-79230-11	FLYWHEEL COMPLETE	1	PC.
174				277-79431-11	IGNITION COIL COMPLETE	1	PC.
175				001-04062-00	FLANGE BOLT M6X20	2	PC.
176				277-73102-H1	WIRE 2 COMPLETE	1	PC.
178		3		X65-50002-71	SPARK PLUG CAP	1	PC.
179				277-76301-21	OIL SENSOR CP	1	PC.
180				KU3-11070-01	FLOAT C/U CP4	1	PC.
181				001-04061-40	FLANGE BOLT	2	PC.
182				015-00400-90	TAPPING SCREW 4X12	2	PC.
183				056-90000-20	PURSE LOCK ASS'Y	1	PC.
184		1		36A-20007-08	STATOR COMPLETE	1	PC.
		2		FJ2-04240-02	STATOR COMPLETE	1	PC.
185		2		FJ9-03960-02	ROTOR CP	1	PC.
186		2		FJ5-02030-01	AVR COMPLETE	1	PC.
187				36A-20300-08	BRUSH CP	1	PC.
188				36A-22000-08	GEN BRACKET 1	1	PC.
189				36A-22100-08	GEN BRACKET N	1	PC.
190				36A-22200-08	GEN BRACKET 2	1	PC.
191				36A-23000-08	BRACKET COVER	1	PC.
192				36A-25006-08	BUSHING	1	PC.
193				36A-21000-08	STATOR BOLT	3	PC.
194				36A-80000-08	FLANGE BOLT	4	PC.
195				36A-80001-08	FLANGE BOLT	2	PC.
196				36A-80100-08	SCREW & WASHER AY	1	PC.
197				36A-80002-08	FLANGE BOLT	4	PC.
198				36A-25001-08	DIODE CP	1	PC.
199				36A-80101-08	SCREW & WASHER AY	1	PC.
200				36A-25002-08	TUBE	1	PC.
201				36A-25003-08	GROMMET	1	PC.
202				36A-70000-08	CONNECTOR(6P)	1	PC.
203				36A-70002-08	CONNECTOR(2P)	1	PC.
204				36A-70101-08	RETAINER(2P)	1	PC.
205				36A-70100-08	RETAINER(3P)	2	PC.
206				36A-71000-08	WIRE(GREEN)	1	PC.
207				36A-71001-08	WIRE(WHITE)	1	PC.
208				36A-80200-08	SCREW	4	PC.
209				36A-21100-08	ROTOR BOLT	1	PC.
210				36A-25004-08	SPONGE(FILTER)	1	PC.
211				36A-30000-08	PIPE FRAME CP	1	PC.
212				36A-40001-08	CONTROL BOX AY	1	PC.
213				36A-80104-08	SCREW & WASHER AY	4	PC.
214				36A-80105-08	SCREW & WASHER AY	4	PC.
215				36A-81002-08	FLANGE NUT	8	PC.
216				36A-80003-08	FLANGE BOLT	4	PC.
217				36A-31000-08	MOUNT CP	4	PC.
218				36A-80004-08	FLANGE BOLT	1	PC.
219				36A-82001-08	LOCK WASHER	1	PC.
220				36A-25005-08	SPONGE(GEN)	2	PC.
221				36A-35000-08	SPONGE(TANK)	1	PC.

Item	Nc	Type	Ref	Part No	SC Description	Qty	Unit
222				36A-35001-08	SPONGE(PANEL)	1	PC.
223				36A-71007-08	WIRE(GREEN/YELLOW)	1	PC.
224				36A-82201-08	WASHER	1	PC.
225				36A-41007-08	* CONTROL PANEL CP	1	PC.
226				36A-49000-08	SWITCH(ENGINE)	1	PC.
227				36A-47002-08	AC CONCENT(GFCI)	2	PC.
228	1			36A-48002-08	* CIRCUIT BREAKER(23A) (for serial# ~ 1020377)	1	PC.
	2			36A-48005-08	* CIRCUIT BREAKER(23A) (for serial# 1020378 ~)	1	PC.
229				36A-49003-08	PILOT LAMP	1	PC.
230				36A-47101-08	DC CONCENT	1	PC.
231				36A-48000-08	CIRCUIT BREAKER(10A)	1	PC.
232				36A-80080-08	STUD BOLT	1	PC.
233				36A-82000-08	LOCK WASHER	1	PC.
234				36A-81000-08	FLANGE NUT	3	PC.
235				36A-82100-08	CAP WASHER	1	PC.
236				36A-82200-08	WASHER	3	PC.
237				36A-82300-08	SPRING WASHER	1	PC.
238				36A-81100-08	WING NUT	1	PC.
239				36A-70003-08	CONNECTOR(2P)	1	PC.
240				36A-70001-08	CONNECTOR(6P)	1	PC.
241				36A-70101-08	RETAINER(2P)	1	PC.
242				36A-70100-08	RETAINER(3P)	2	PC.
243				36A-80202-08	SCREW	4	PC.
244				36A-81001-08	FLANGE NUT	4	PC.
245				36A-80103-08	SCREW & WASHER AY	2	PC.
246				36A-49900-08	GROMMET	1	PC.
247				36A-60001-08	CORRUGATED TUBE(100)	1	PC.
248				36A-71004-08	WIRE(BLACK)	1	PC.
249				36A-71005-08	WIRE(GREEN)	1	PC.
250				36A-71006-08	WIRE(BLACK)	1	PC.
251				36A-71069-08	WIRE(RED)	1	PC.
252				36A-71070-08	WIRE(GREEN)	2	PC.
253				36A-71071-08	WIRE(GREEN)	1	PC.
254				36A-71072-08	WIRE(WHITE)	1	PC.
255				36A-71073-08	WIRE(WHITE)	1	PC.
256				36A-71074-08	WIRE(RED)	1	PC.
257				36A-71075-08	WIRE(BLUE)	1	PC.
258				36A-98012-08	LABEL(SNOW-RAIN)	1	PC.
259				36A-98013-08	LABEL(CO GAS)	1	PC.
260				36A-91010-08	LABEL(SPEC)	1	PC.
261				36A-98014-08	LABEL(TRADE MARK)	1	PC.
262				36A-98015-08	LABEL(SYMBOL-TANK)	1	PC.
263				36A-98016-08	LABEL(HOT & GAS)	1	PC.
264				36A-98017-08	LABEL(FUEL_COCK)	1	PC.
265				36A-98018-08	LABEL(BARCODE)	1	PC.
266				36A-98019-08	LABEL(CAUTION_ONLY)	1	PC.
267				36A-98020-08	LABEL(CAUTION_BRUSH)	1	PC.
268				36A-79000-08	BATTERY CABLE	1	PC.
00							
ACCESSORIES				- See Catalogue or visit www.makita.ca for more accessories -			
A01	1			277-90301-H0	ACCESSORY TOOL KIT	1	PC.
	2			277-90301-J0	ACCESSORY TOOL KIT	1	PC.
A02				277-50110-08	STARTER ROPE	1	PC.
A03				065-01402-10	SPARK PLUG	1	PC.

Item No	Type	Ref	Part No	SC Description	Qty	Unit
A04			110004-B	WHEEL KIT (SEE PARTS BREAKDOWN 110004-B)	1	PC.

SERVICE CHANGES

1. Changes on Cam Shaft Complete & Return Spring

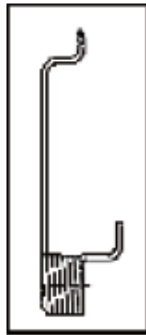
Item No.	Description	(TI#Y05704)		(TI#Y06493)	(TI#Y06940) (TI#Y06943)	(TI#Y07268)
		Type 1	Type 2	Type 3	Type 4	Type 5
39	Cam Shaft Complete	278-31601-3	278-31601-41	278-31601-51	278-31601-61	278-31601-71
45	Return Spring	279-38701-	277-38703-03	277-38703-	277-38703-23	277-38703-

Above parts are completely interchangeable as a set.

*** No. 45 is included in No. 39

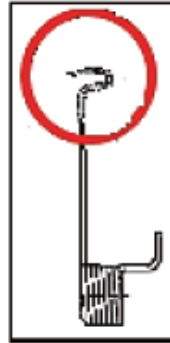
No.45 Type 3

Type 4



Current

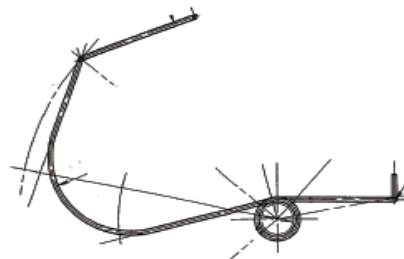
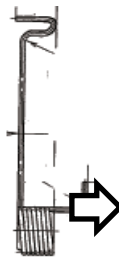
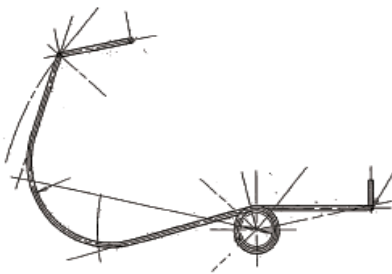
Return spring



New

Type 4

Type 5



2. Changes on Circuit Breaker (10A) and Control Panel CP

Item No.	Description	Type 1	Type 2
228	CIRCUIT BREAKER (10A)	36A-48002-08	36A-48005-08
225	CONTROL PANEL CP	36A-41007-08	N/A
Serial Numeber on EG301A		up to 1020377	1020378 (Jun2016 production) and after

Above parts are completely interchangeable as a set.

Service Note available separately